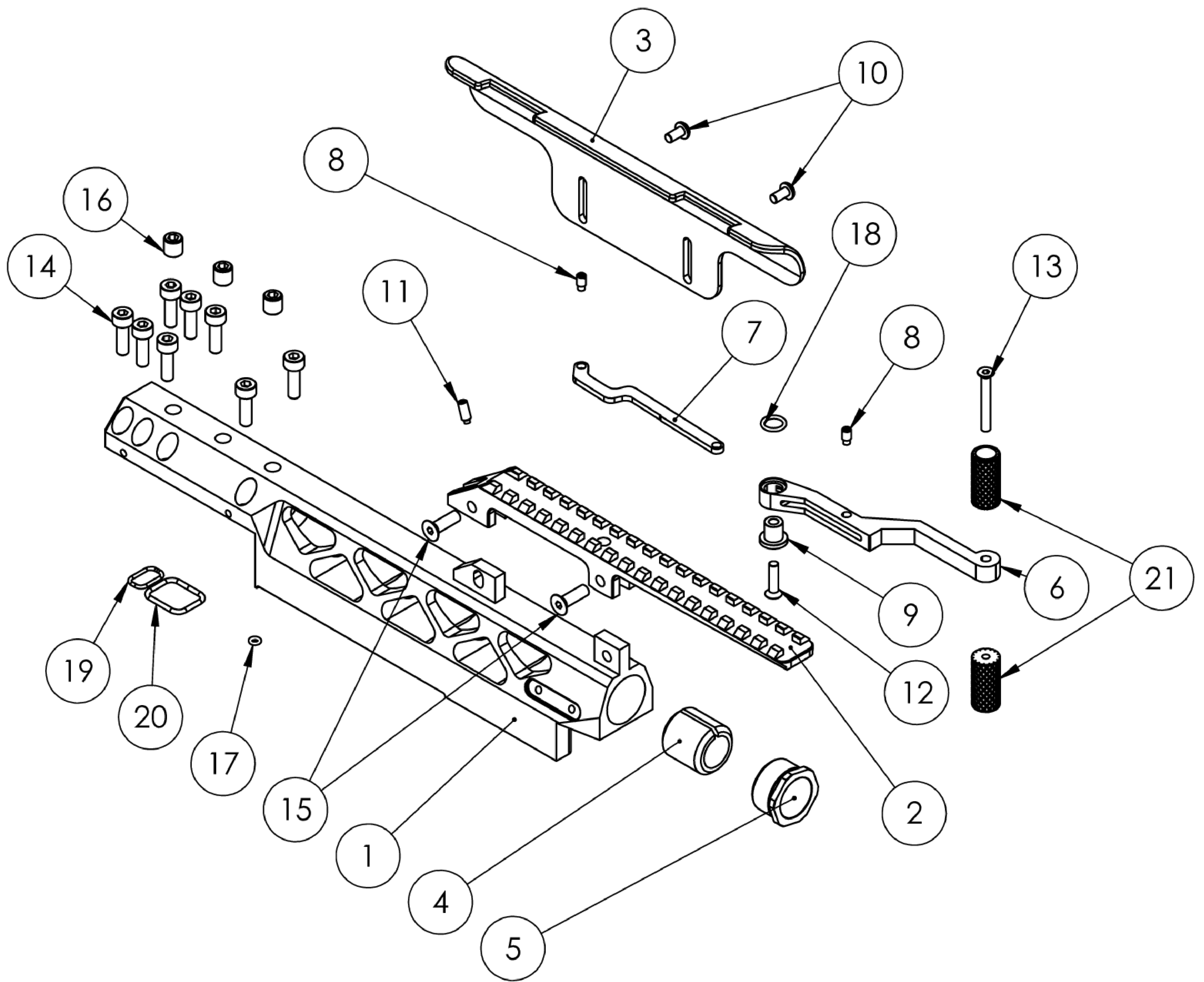
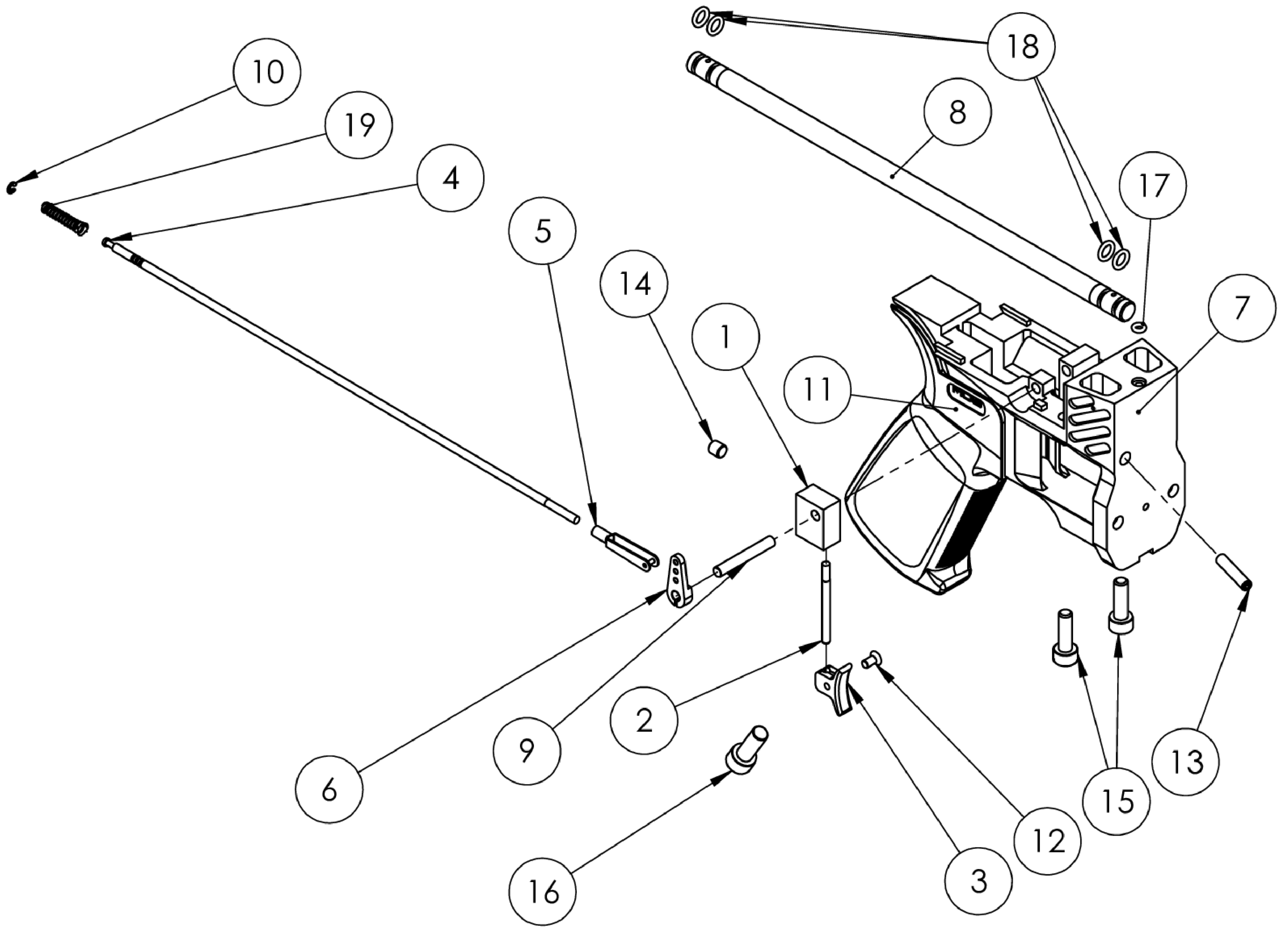


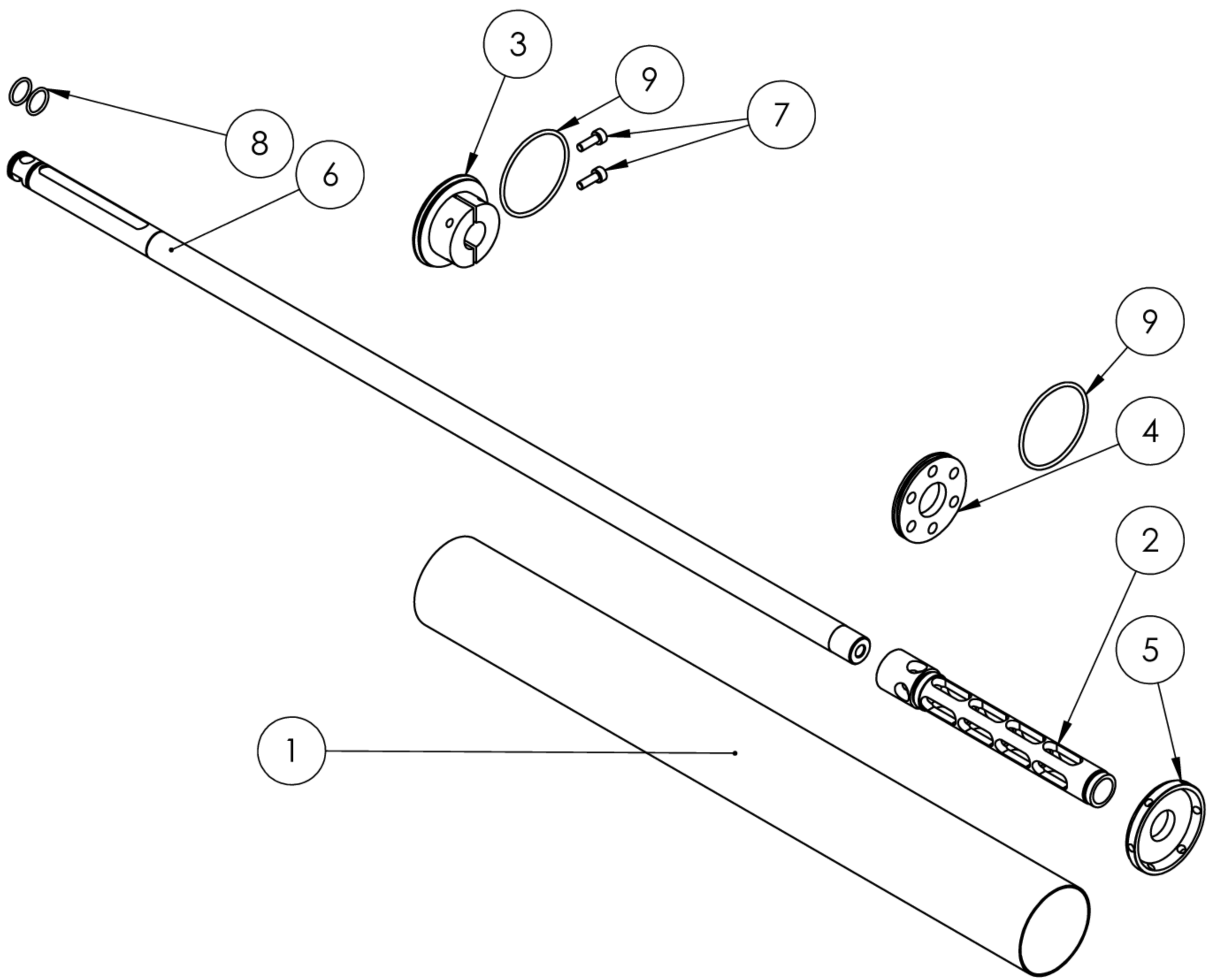
ITEM NO.	PART NUMBER	QTY.
1	1-1. Body Mora	1
2	1-2. Pusher guide	1
3	1-3. Locking pin	1
4	1-4. Slider	1
5	1-5. Hammer blocker	1
6	1-6. Plenum plug	2
7	1-7. Ball 5mm	1
8	1-8-L. Left cover	1
9	1-9. Pusher	1
10	1-10. Cocking rod link	1
11	1-11. Cocking rod	1
12	1-12. Cocking bushing	4
13	1-8-R. Right cover	1
14	2-9. Hammer	1
15	2-10. Hammer adjuster	1
16	45. Trigger sear	1
17	53. Safety ball 3mm	1
18	58. Trigger screw	2
19	AR-15 Safety lever	1
20	Low pressure gauge	1
21	M3x5 DIN913	2
22	M3x6 DIN7991	16
23	M3x8 DIN912	1
24	M5x4 DIN913	1
25	M5x5 DIN913	1
26	M8x8 DIN913	2
27	O-ring ID 3x3 NBR70	1
28	O-ring ID 4x2.5 NBR70	1
29	O-ring ID 14x1.5 NBR70	1
30	O-ring ID 19x2.5 NBR70	2
31	SL-46. Trigger pivot sear	1
32	Spring 1	1
33	Spring 2	2
34	Spring 5	1
35	Spring 7	1



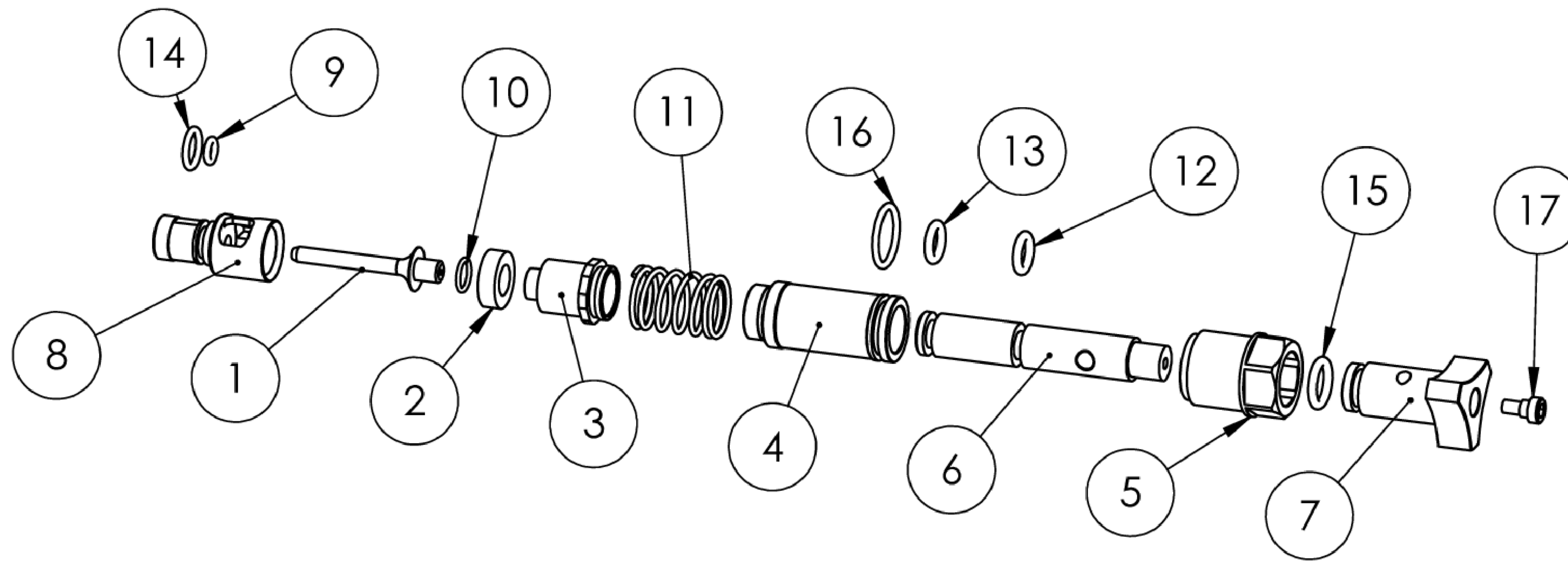
ITEM NO.	PART NUMBER	QTY.
1	3-1. Bridge	1
2	3-2. Rail 20MOA	1
3	3-3. Cheek riser	1
4	3-4-15. Barrel bushing	1
5	3-5. Retaining nut	1
6	3-6. Cocking handle	1
7	3-7. Pivoting arm	1
8	3-8. Handle screw	2
9	3-9. Handle bushing	1
10	M4x8 ISO7380	2
11	M4x10 DIN913 Plastic tip	1
12	M4x16 DIN7991	1
13	M4x30 DIN7991	1
14	M5x16 DIN912	8
15	M5x16 DIN7991	2
16	M8x8 DIN913	3
17	O-ring ID 2.5x1.5 NBR70	1
18	O-ring ID 8X1.5 NBR70	1
19	O-ring ID 12x1.5 NBR70	1
20	O-ring ID 20x2 NBR70	1
21	SL-16 Rocka	2



ITEM NO.	PART NUMBER	QTY.
1	5-1. Trigger block	1
2	5-2. Trigger shaft	1
3	5-3. Trigger blade	1
4	5-4. Trigger linkage	1
5	5-5. Clevis	1
6	5-6. Trigger lever	1
7	6-1. Front	1
8	4-1. Air flow tube	1
9	4x28mm Dowel pin	1
10	62. Trigger clip	1
11	GRIP 1	1
12	M3x6 DIN7991	1
13	M4x20 DIN913	1
14	M5x5 DIN913	1
15	M5x16 DIN912	2
16	M6x16 DIN912	1
17	O-ring ID 2.5x1.5 NBR70	1
18	O-ring ID 5x1.5 NBR90	4
19	Spring 3	1



ITEM NO.	PART NUMBER	QTY.
1	9-1-430. Shroud tube short	1
2	9-2. Shroud monocore	1
3	9-3. Shroud enter plug	1
4	9-4. Shroud baffle	1
5	9-5. Shroud exit plug	1
6	10. Barrel 600	1
7	M4x12 DIN912	2
8	O-ring ID 12x1.5 NBR70	2
9	O-ring ID 44x2 NBR70	2



ITEM NO.	PART NUMBER	QTY.
1	2-1. Valve pin	1
2	2-2. Valve seal	1
3	2-3. Valve plenum	1
4	2-4. Valve spacer	1
5	2-5. Valve retaining nut	1
6	2-6. Valve stopper	1
7	2-7. Travel adjuster	1
8	2-8. Valve seat	1
9	O-ring ID 3.5x1.5 NBR70	1
10	O-ring ID 6x1 NBR70	1
11	2-11. Valve return spring	1
12	O-ring ID 6x2 NBR70	1
13	O-ring ID 6x2 NBR90	1
14	O-ring ID 7x1.5 NBR70	1
15	O-ring ID 8X2 NBR70	1
16	O-ring ID 12x1.5 NBR90	1
17	SL-25. Cocking handle screw	1