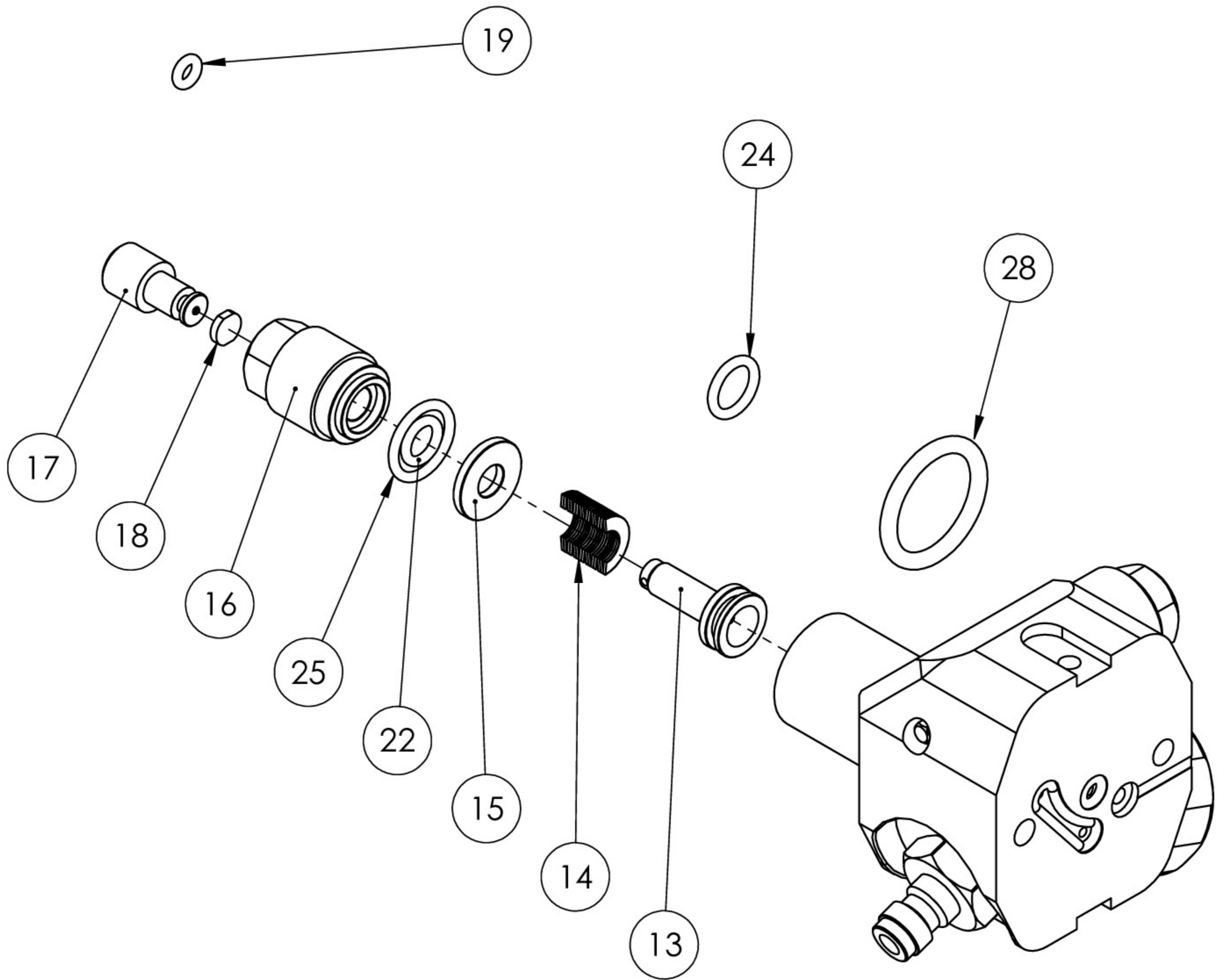
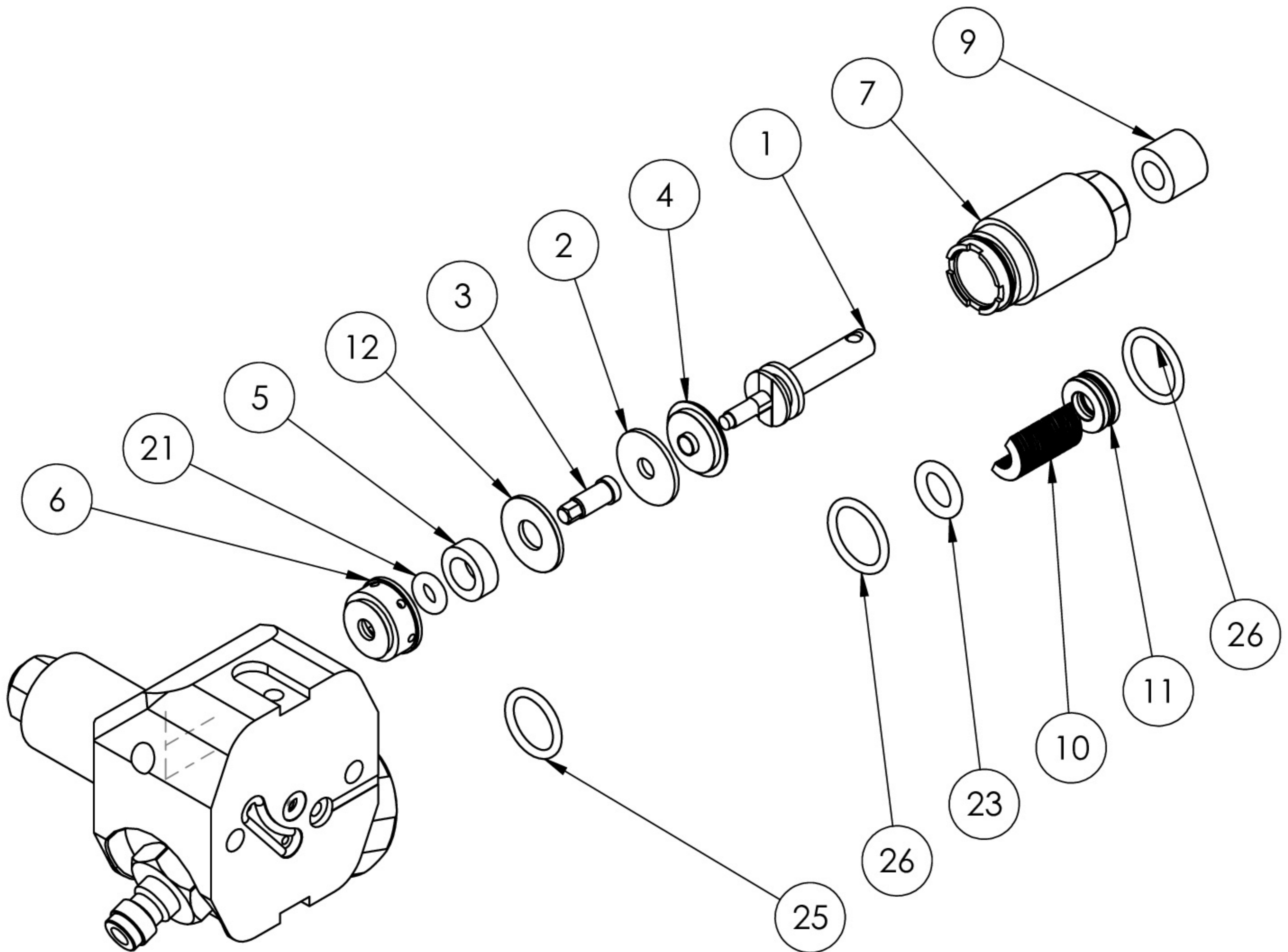
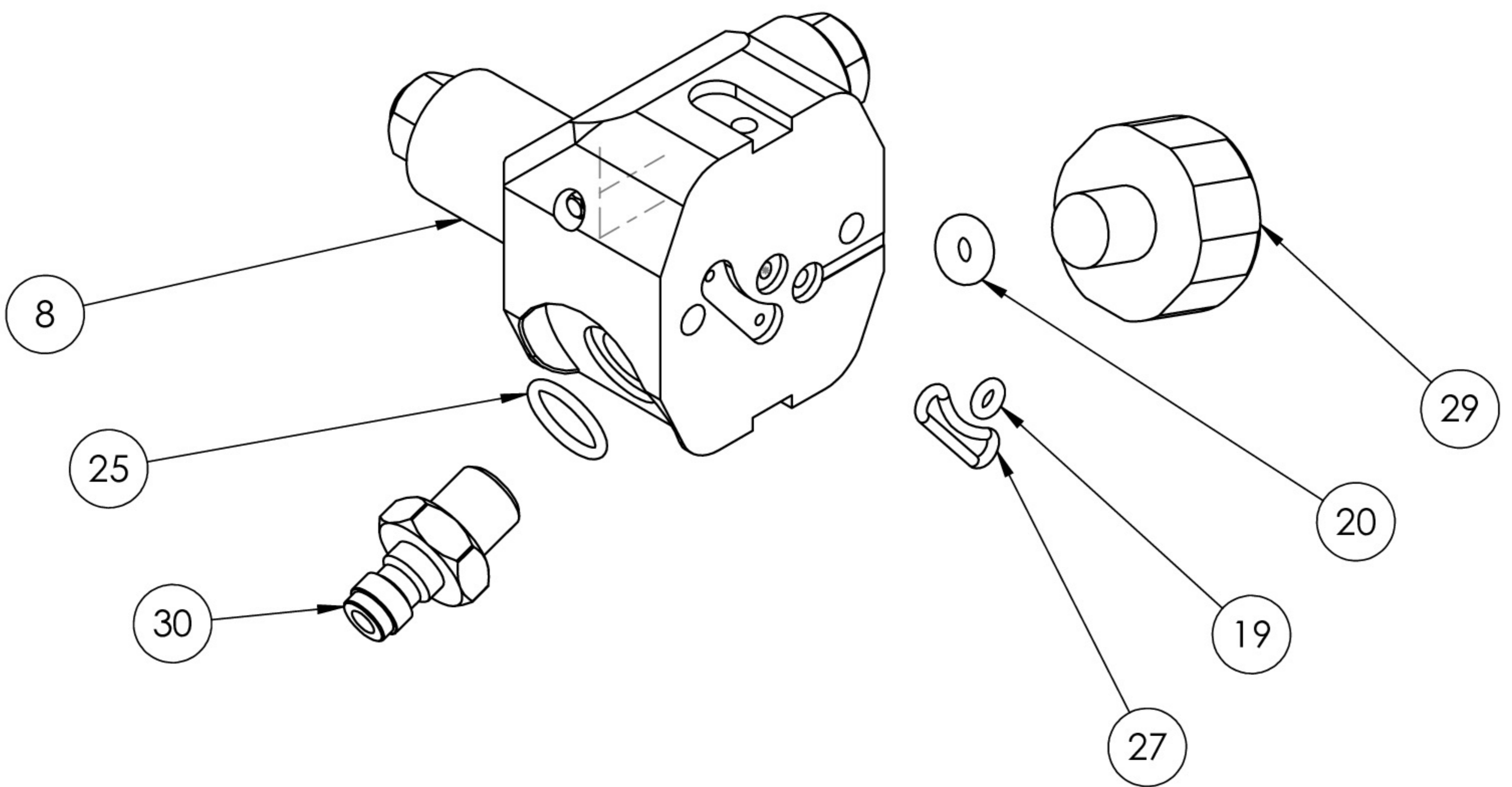


Exploded view - primary regulation (internal adjustment Version 2)



Exploded view - secondary regulation (external adjustment-Version 10)





ITEM NO.	PART NUMBER	DESCRIPTION	QTY.
1	1. Piston		1
2	2. PU seal 2		1
3	3. Screw		1
4	4. Sealing washer V10		1
5	5. Filter		1
6	6. Washer		1
7	7. Retaining body		1
8	10-1. Bottle holder		1
9	9. Adjustment screw		1
10	11. Spring washer assembly		1
11	10. Bearing		1
12	12. Seal holder		1
13	13. First stage piston 10mm		1
14	14. Primary spring washer assembly		1
15	15. Primary sealing washer		1
16	16. First stage retaining nut		1
17	17. First stage adjustment screw		1
18	18. First stage seal		1
19	O-ring ID 2.5x1.5 NBR70		2
20	O-ring ID 3x3 NBR70		1
21	O-ring ID 3.5x2 NBR90		1
22	O-ring ID 5x1.5 NBR90		1
23	O-ring ID 6.5x2 NBR90		1
24	O-ring ID 7x1.5 NBR70		1
25	O-ring ID 10x1.5 NBR70		3
26	O-ring ID 11x1.5 NBR70		2
27	O-ring 12x1.5 NBR70		1
28	O-ring ID 16x2.5 NBR70		1
29	High pressure gauge		1
30	Fill nipple with check valve		1